



Cosemittech

CH412

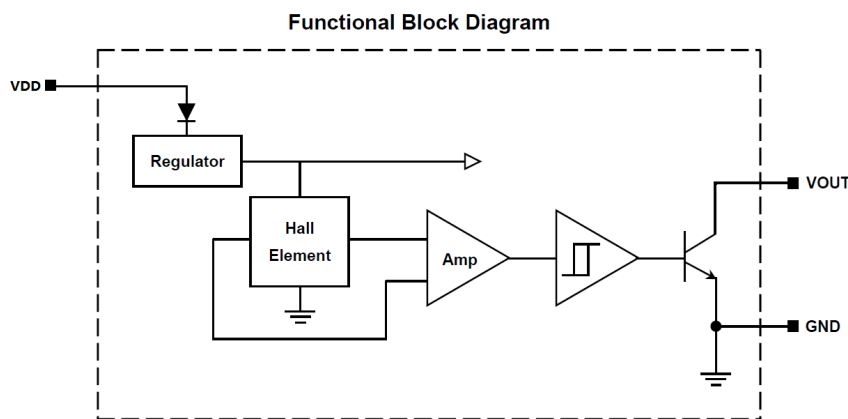
Industry Product Group

This is advanced information on a new product now in development or undergoing evaluation. Details are subject to change without notice and Cosemi-tech assumes no obligation for future manufacture of this product. Contact Cosemi-tech for the latest status

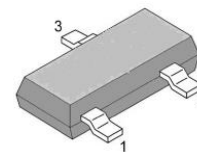
REV 0.3

### FEATURES and FUNCTIONAL DIAGRAM

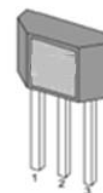
- Bipolar technology
- Reverse battery protection
- 3.5V to 30V Operation voltage
- -40 °C to 150 °C Superior temperature operation
- Open-collector 20 mA output
- Small Size SOT-23, SOT-89 or TO-92S
- Solid-state reliability
- Resistant to physical stress
- Activate with small, commercially available permanent magnets



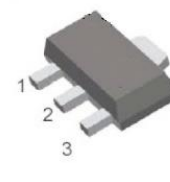
### PACKAGE



SOT-23



TO-92



SOT-89

### APPLICATIONS

- Brushless DC motor commutation
- Automotive, Consumer and Industrial
- Solid-state switch
- Speed measurement
- Revolution counting
- Angular position detection
- Magnetic Encoder

### DESCRIPTION

The CH412 family is a Hall-effect latch designed in bipolar technology. The Hall IC internally includes an on-chip Hall voltage generator, a voltage regulator for operation with supply voltages of 3.5 to 30V, reverse protection diode, temperature compensation circuitry, small-signal amplifier, Schmitt trigger and an output driver; all in a single package.

It is designed to respond to alternating North and South poles. While the magnetic flux density(B) is larger than operate point (Bop), the output will be turned on (Low), the output is held until the magnetic flux density(B) is lower than release point (Brp), then be turned off (High).

Thanks to its wide operating voltage range 3.5 to 30V and extended temperature range from -40°C to +150°C, it is quite suitable for use in automotive, industrial and consumer applications.

The device is delivered in variety of packages to customers: SOT-23, SOT-89 for surface mount and TO-92S flat for through-hole mount. Both 3-lead packages are RoHS compliant.

	<b>Cosemitech</b>	<b>CH412</b>
	<b>Industry Product Group</b>	<small>This is advanced information on a new product now in development or undergoing evaluation. Details are subject to change without notice and Cosemi-tech assumes no obligation for future manufacture of this product. Contact Cosemi-tech for the latest status</small>

**REV 0.3**

## Table of Contents

1. Glossary of Terms .....		3
2. Product Family Members .....		3
3. Pin Definitions and Descriptions.....		3
4. Absolute Maximum Ratings .....		4
5. ESD protections .....		4
6. Function Description.....		4
7. Definition of Switching Function .....		5
8. CH412 Series Parameters Specification .....		5
9. Test Conditions .....		6
10. Typical Application Circuit .....		6
11. Typical Output Waveform.....		6
12. Package Information .....		7

**1. Glossary of Terms**

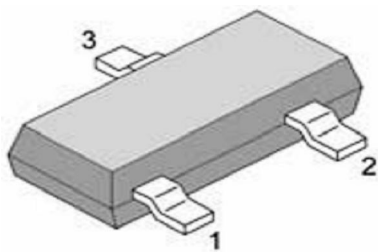
MilliTesla (mT),	Gauss Units of magnetic flux density: 1mT = 10 Gauss
RoHS	Restriction of Hazardous Substances
ESD	Electro-Static Discharge
BLDC	Brush-Less Direct-Current
Operating Point (B <sub>OP</sub> )	Magnetic flux density applied on the branded side of the package which turns the output driver ON (V <sub>OUT</sub> = low)
Release Point (B <sub>RP</sub> )	Magnetic flux density applied on the branded side of the package which turns the output driver OFF (V <sub>OUT</sub> = high)

**2. Product Family Members**

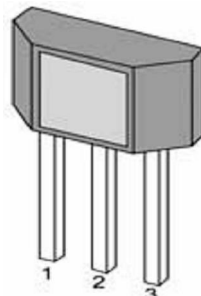
Part Number	Marking ID	Description
CH412SR	C412	Bipolar latching, Hall-effect digital sensor IC, SOT-23-3L package, tape and reel packing (3000 units per reel)
CH412TB	C412	Bipolar latching, Hall-effect digital sensor IC, flat, TO-92S package, bulk packing (1000 units per bag)
CH412ER	C412	Bipolar latching, Hall-effect digital sensor IC, SOT-89-3L package, tape and reel packing (1000 units per reel)

**3. Pin Definitions and Descriptions**

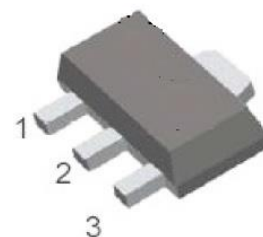
SOT-23 (AT and ET)	TO-92S (A and A-T)	SOT-89 (BT)	Name	Type	Function
1	1	1	VDD	Supply	Supply Voltage pin
2	3	3	OUT	Output	Open Collector Output pin
3	2	2	GND	Ground	Ground pin



**SOT-23-3L**



**TO-92S**



**SOT-89-3L**

	<b>Cosemitech</b>	<b>CH412</b>
	<b>Industry Product Group</b>	<small>This is advanced information on a new product now in development or undergoing evaluation. Details are subject to change without notice and Cosemi-tech assumes no obligation for future manufacture of this product. Contact Cosemi-tech for the latest status</small>

**REV 0.3**

#### 4. Absolute Maximum Ratings

Parameter	Symbol	Min	Max	Units
Supply Voltage	VDD	-	40	V
Reverse Voltage	VRDD	-	-40	V
Supply Current	IDD	-	50	mA
Output Voltage	VOUT	-0.3	40	V
Output Current	IOUT	-	50	mA
Operating Ambient temperature	TA	-40	150	°C
Storage Temperature	TS	-50	150	°C
Junction temperature	TJ		165	°C
Magnetic Flux	No Limit			Gauss

Note: Exceeding the absolute maximum ratings may cause permanent damage. Exposure to absolute-maximum- rated conditions for extended periods may affect device reliability. ESD Protection

#### 5. ESD protections

Parameter	Value	Unit
All pins <sup>1)</sup>	+/-2	kV
All pins <sup>2)</sup>	+/-200	V

1) HBM (human body model, 100pF, 1.5 kohm ) according to MIL 883C, Method 3015.7 or EIA/JESD22A114-A

2) acc. Machine Model: C=200pF; R=0Ω

#### 6. Function Description

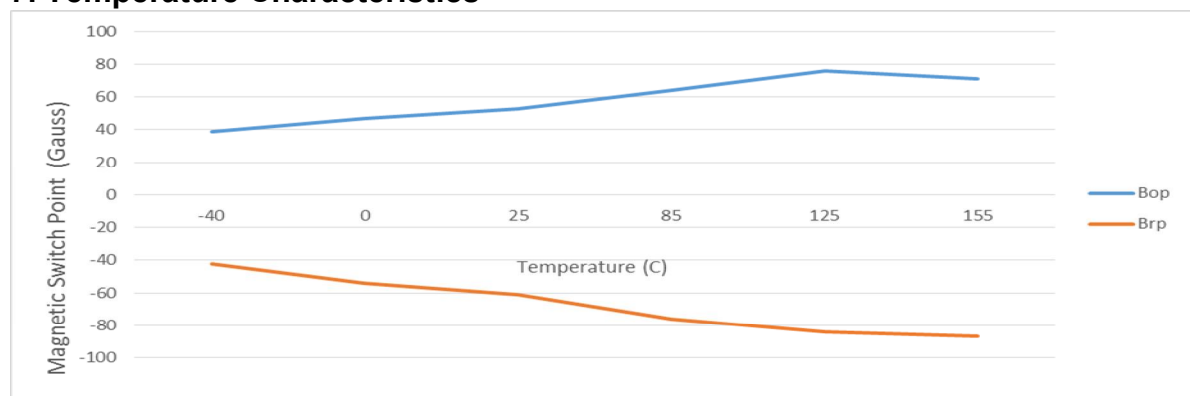
The CH412 exhibits latch magnetic switching characteristics. Therefore, it requires both south and north poles to operate properly.

The device behaves as a latch with symmetric operating and release switching points ( $BOP=|BRP|$ ). This means magnetic fields with equivalent strength and opposite direction drive the output high and low.

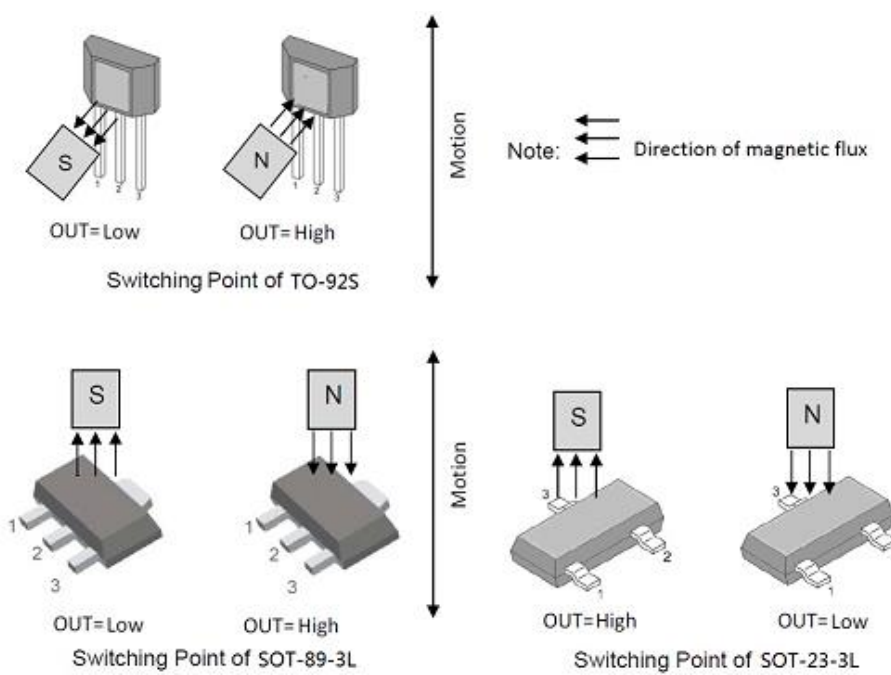
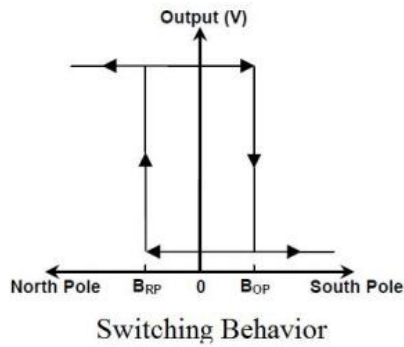
Removing the magnetic field ( $B = 0$ ) keeps the output in its previous state. This latching property defines the device as a magnetic memory.

A magnetic hysteresis BHYST keeps BOP and BRP separated by a minimal value. This hysteresis prevents output oscillation near the switching point.

#### 7. Temperature Characteristics



### 8. Definition of Switching Function



### 9. CH412 Parameters Specification

The voltages are referred to GND.

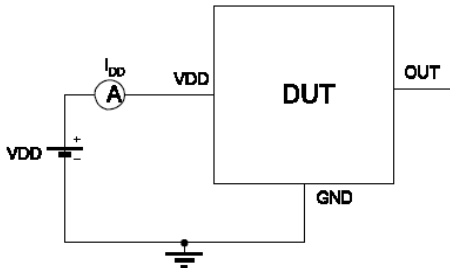
3.5V < VDD < 30V; TJ = -40 to 150°C, unless otherwise specified.

Symbol	Parameter	Test Condition	Min	Typ	Max	Units
VDD	Supply voltage	Operating	3.5	5	30	V
IDD	Supply Current	B < BRP		4.0	9	mA
VDSon	Output saturation voltage	Iout=15mA, B > BOP			0.4	V
I <sub>OFF</sub>	Output Leakage Current	B < BRP, VOUT=30V			10	uA
T <sub>R</sub>	Output rise time	RL=1Kohm, CL=20pF			1.5	uS
T <sub>F</sub>	Output fall time	RL=1Kohm, CL=20pF			1.5	uS
F <sub>SW</sub>	Maximum Switching Frequency				100	KHz
B <sub>OP</sub>	Magnetic operating point	TA=25°C	5	35	75	Gauss
B <sub>RP</sub>	Magnetic release point	TA=25°C	-75	-35	-5	Gauss
B <sub>HYST</sub>	Magnetic hysteresis window	TA=25°C  B <sub>OP</sub> -B <sub>RP</sub>	40	70	90	Gauss

### 10. Test Conditions

Note : DUT = Device Under Test

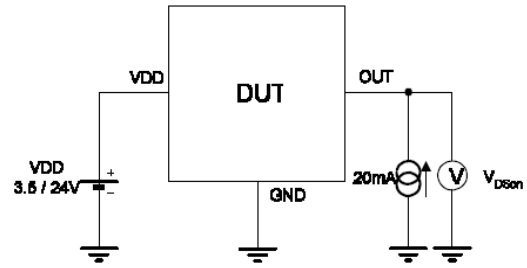
#### Supply Current



Note 1 - The supply current  $I_{DD}$  represents the static supply current. OUT is left open during measurement.

Note 2 - The device is put under magnetic field with  $B < B_{RP}$ .

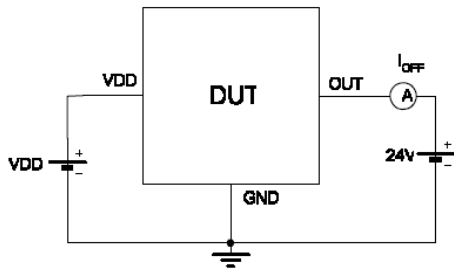
#### Output Saturation Voltage



Note 1 - The output saturation voltage  $V_{Dsat}$  is measured at  $V_{DD} = 3.5V$  and  $V_{DD} = 24V$

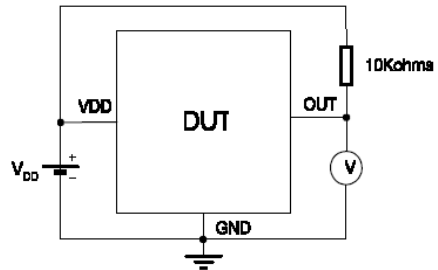
Note 2 - The device is put under magnetic field with  $B > B_{OP}$ .

#### Output Leakage Current



Note 1 - The device is put under magnetic field with  $B < B_{RP}$

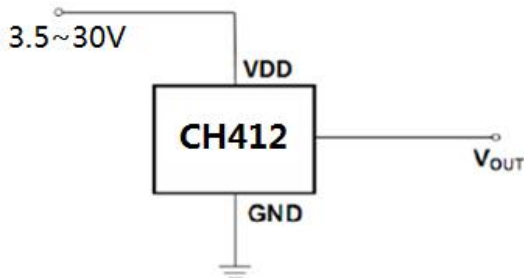
#### Magnetic Thresholds



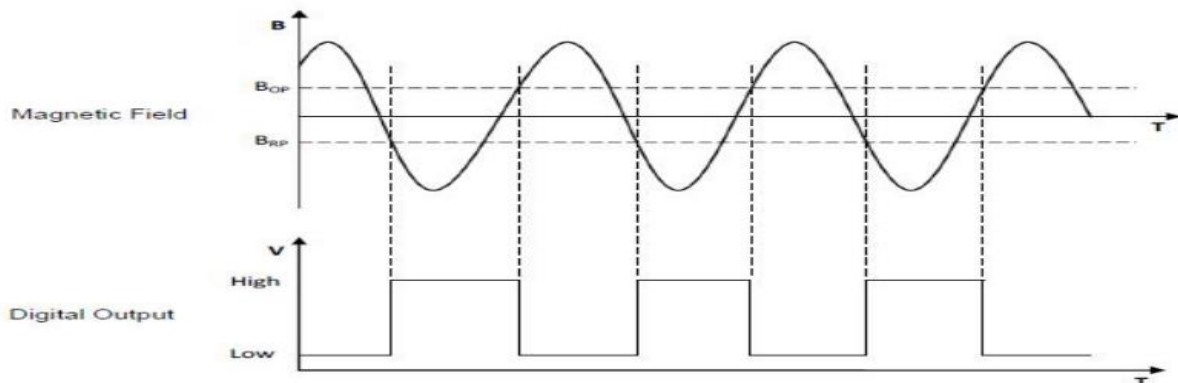
Note 1 -  $B_{OP}$  is determined by putting the device under magnetic field swept from  $B_{RPmin}$  up to  $B_{OPmax}$  until the output is switched on.

Note 2 -  $B_{RP}$  is determined by putting the device under magnetic field swept from  $B_{OPmax}$  down to  $B_{RPmin}$  until the output is switched off.

### 11. Typical Application Circuit



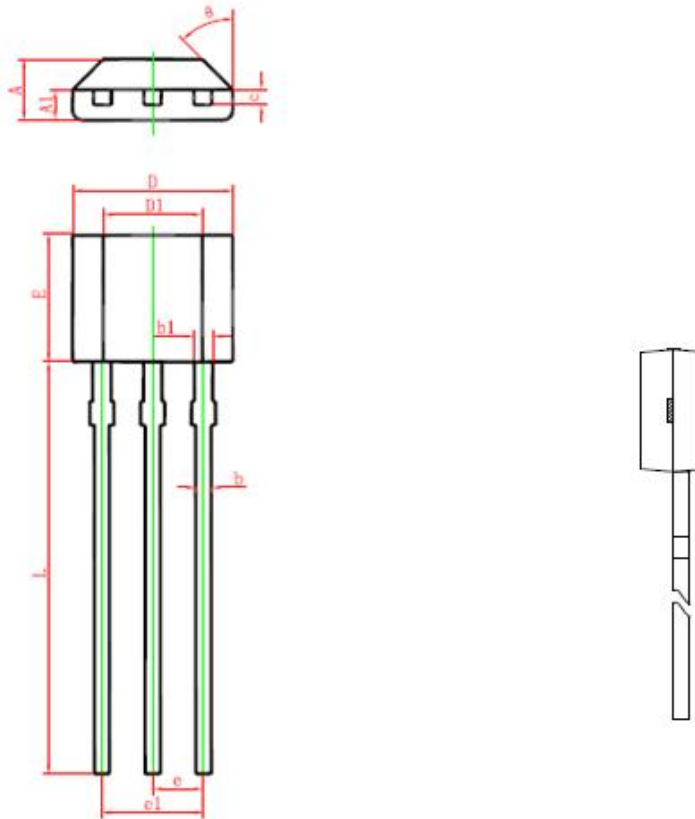
### 12. Typical Output Waveform (The TO-92S package as an example )



**13. Package Information:**

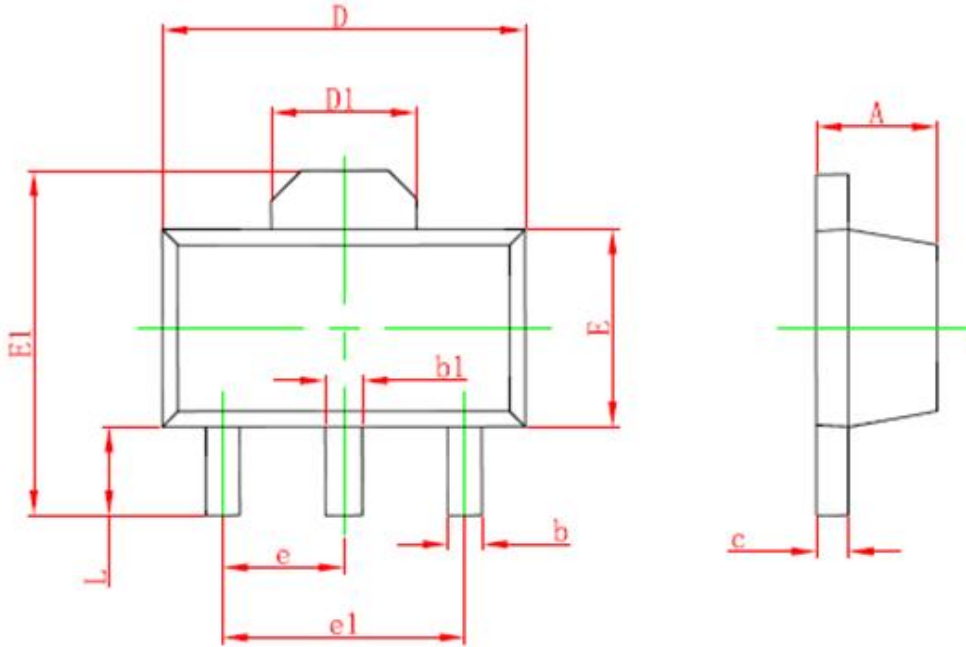
Symbol	Parameter	Test Condition	Min	Typ	Max	Units
RTH	SOT-23 Package Thermal Resistance			301		°C/W
	TO-92S Package Thermal Resistance			230		°C/W
	SOT-89 Package Thermal Resistance			230		°C/W

**PACKAGE DESIGNATOR  
TO-92S**



Symbol	Dimensions In Millimeters		Dimensions In Inches	
	Min.	Max.	Min.	Max.
A	1.420	1.620	0.056	0.064
A1	0.660	0.860	0.026	0.034
b	0.350	0.480	0.014	0.019
b1	0.400	0.550	0.016	0.022
c	0.360	0.510	0.014	0.020
D	3.900	4.100	0.154	0.161
D1	2.280	2.680	0.090	0.106
E	3.050	3.250	0.120	0.128
e	1.270 TYP.		0.050 TYP.	
e1	2.440	2.640	0.096	0.104
L	15.100	15.500	0.594	0.610
θ	45° TYP.		45° TYP.	

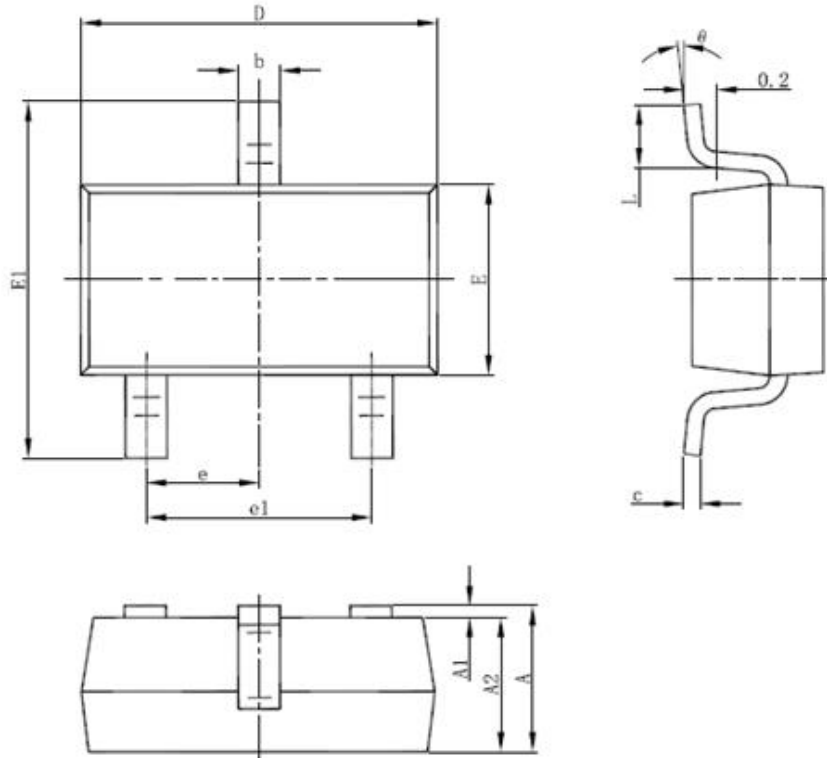
PACKAGE DESIGNATOR  
SOT-89-3L



Symbol	Dimensions In Millimeters		Dimensions In Inches	
	Min.	Max.	Min.	Max.
A	1.400	1.600	0.055	0.063
b	0.320	0.520	0.013	0.020
b1	0.400	0.580	0.016	0.023
c	0.350	0.440	0.014	0.017
D	4.400	4.600	0.173	0.181
D1	1.550 REF.		0.061 REF.	
E	2.300	2.600	0.091	0.102
E1	3.940	4.250	0.155	0.167
e	1.500 TYP.		0.060 TYP.	
e1	3.000 TYP.		0.118 TYP.	
L	0.900	1.200	0.035	0.047



**PACKAGE DESIGNATOR  
SOT-23 - 3L**



Symbol	Dimensions In Millimeters		Dimensions In Inches	
	Min	Max	Min	Max
A	1.050	1.250	0.041	0.049
A1	0.000	0.100	0.000	0.004
A2	1.050	1.150	0.041	0.045
b	0.300	0.500	0.012	0.020
c	0.100	0.200	0.004	0.008
D	2.820	3.020	0.111	0.119
E	1.500	1.700	0.059	0.067
E1	2.650	2.950	0.104	0.116
e	0.950(BSC)		0.037(BSC)	
e1	1.800	2.000	0.071	0.079
L	0.300	0.600	0.012	0.024
θ	0°	8°	0°	8°

	<b>Cosemitech</b>	<b>CH412</b>
	<b>Industry Product Group</b>	<small>This is advanced information on a new product now in development or undergoing evaluation. Details are subject to change without notice and Cosemi-tech assumes no obligation for future manufacture of this product. Contact Cosemi-tech for the latest status</small>

**REV 0.3**

Information furnished is believed to be accurate and reliable. However, Cosemitech assumes no responsibility for the consequences of use of such information nor for any infringement of patents or other rights of third parties which may result from its use. No license is granted by implication or otherwise under any patent or patent rights of Cosemi-tech. Specification mentioned in this publication are subject to change without notice. This publication supersedes and replaces all information previously supplied. Cosemitech products are not authorized for use as critical components in life support devices or systems without express written approval of Cosemitech.

The Cosemitech logo is a registered trademark of Cosemitech